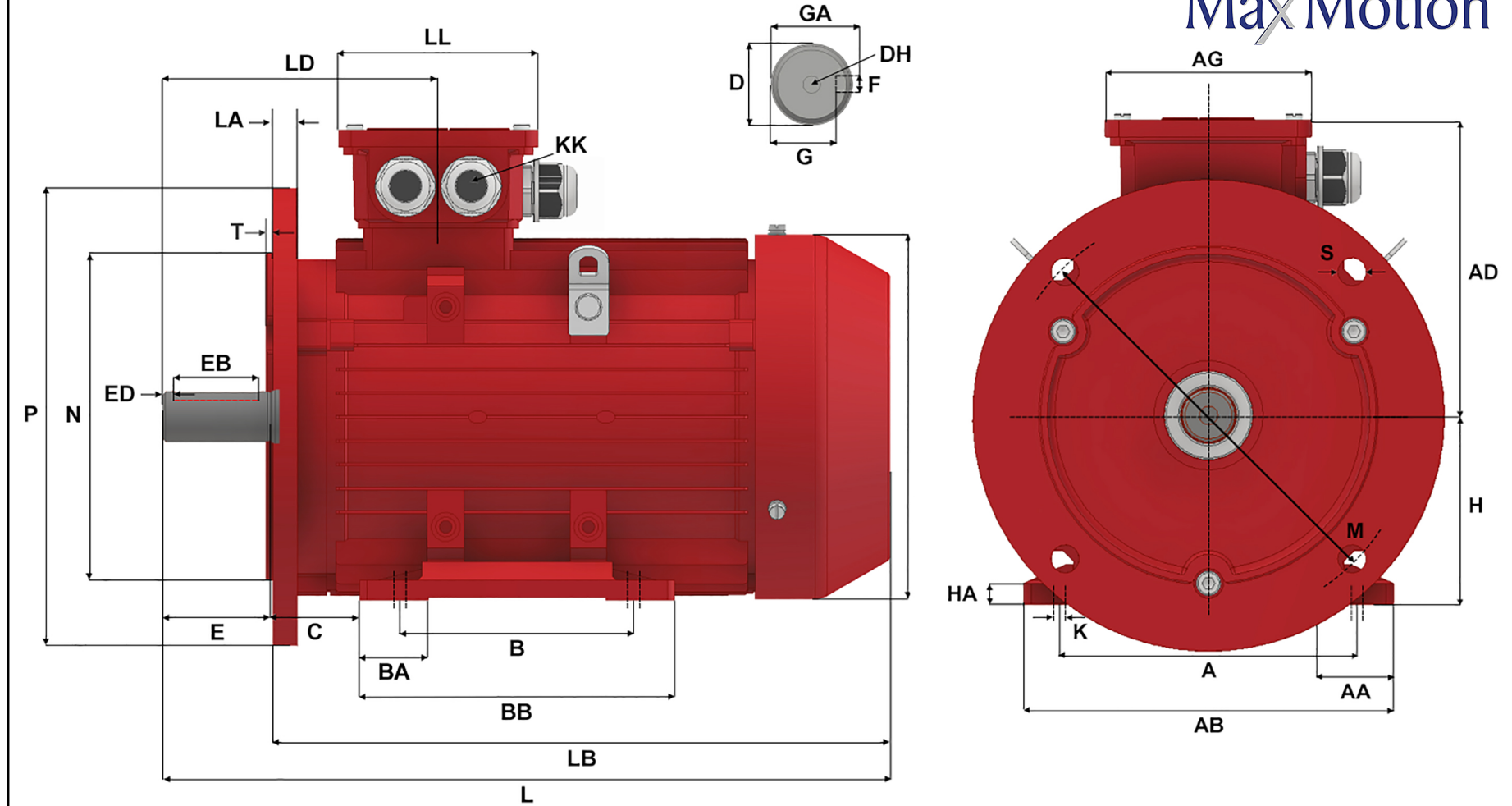


MaxMotion



Version: 1JLEM		Revised: 09-11-2019		HP	RPM	FRAME	ENCLOSURE	IJA160L-2-B35								
Customer is responsible in determining that Max Motion product will fit/perform suitably in the intended application								25	3525	160L	TEFC					
A	B	C	D	E	F	G	H	K	L	M	N	P				
254	254	108	42	110	12	37	160	15 X 18	660	300	250	350				
S	T	AA	AB	AC	AD	AG	BA	BB	DH	EB	ED	GA				
18.5	5	55	304	315	242	160.5	50	304	M16 X 36	90	10	45				
HA	KK (1)	KK (2)	KK (3)	LA	LB	LD	LL									
18	M40 X 1.5	1" NPT	M16 X 1.5	15	550	268.5	155									